



North American Headquarters  
601 Rayovac Drive  
Madison, WI 53711  
Telephone 1-800-331-4522  
Internet [www.rayovac.com](http://www.rayovac.com)

## Marketing Data Sheet - Batteries

S6600141  
Issue G  
Memo No: 13509

Rayovac Stock Number: **312A**

Name: **312A ZINC AIR**

### **ENGINEERING DATA:**

**Cell Chemistry:** Zinc Air

**Designation:** ANSI/NEDA – 7002ZD, IEC – PR-41

**Recommended Use:** Hearing Aid Instruments

**Nominal Voltage:** 1.4 volts

**Approximate Weight:** .53 grams (.02 oz)

**Approximate Volume:** .17 CU CM (.01 CU IN)

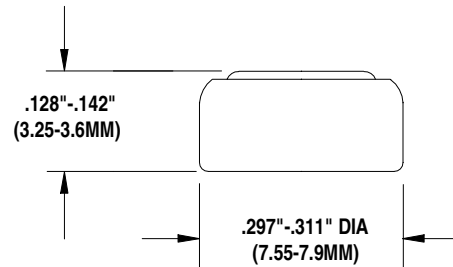
**Standard Capacity:** 215 hours – 1500 OHM 12 hour/day discharge at 70° F (21° C) and 50% RH to 1.1 volts.

**High Rate Pulse:** 90 hours – 2 mA background 10 mA 100 mS pulse at 70°F (21°C) and 50% RH once/hour 16 hours/day to 1.05 volts.

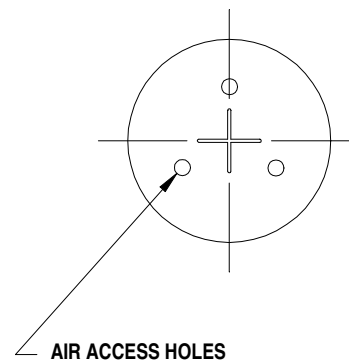
**Storage Loss at 70°F (21°C):** Less than 5% in one year with tab applied.

**Environmental:** Zinc Air batteries pose no threat to the Environment. They pass the U.S. Environmental Protection Agency's toxicity tests for Mercury, Cadmium and Lead.  
[Rayovac Material Safety Data Sheets](#)

**Activation And Use:** Remove and discard plastic tab covering air holes. Allow battery to stand for one minute to insure proper activation. Battery compartment must allow adequate oxygen supply to reach air holes.



DIMENSIONS SHOWN ARE ANSI/IEC STANDARDS.  
FOR ENGINEERING TOLERANCES CONTACT RAYOVAC.



**This data is subject to change. Performance information is typical. Contents herein do not constitute a warranty.**